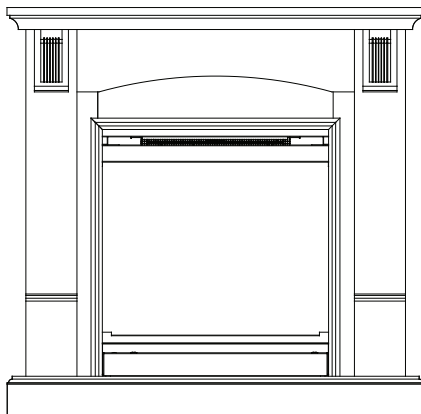


Owner's Manual

Model Number:
DF2006-230



Serial Number _____

Model Number _____

Part Number _____

Quality checked by:

Valued Customer,

Thank you and congratulations for purchasing a Dimplex electric fireplace. Over the years, valuable memories will occur around the warmth and comfort of your fireplace. Thank you for allowing our product to be the backdrop for those special moments.

7207580100REV04

QUICK REFERENCE GUIDE

1. Prior to the first use of the Compact Fireplace verify the following:
 - Are the circuit breakers for the unit on?
 - Are the light bulbs in your Compact Fireplace loose? (to check, follow the instructions for replacing the light bulbs under the maintenance section of this manual)
2. The heater in your Compact Fireplace may emit a slight, harmless odor when first used. This odor is a normal condition caused by the initial heating of internal heater parts and will not occur again.
3. The information regarding the model of your Compact Fireplace can be found on a label located on the inside of the control panel on the front of the unit.
4. If you have any technical questions or concerns regarding the operation of your Compact Fireplace, or require service contact customer service.

CONTENTS

PAGE 1	Important Instructions
PAGE 3	Model and Serial Number Information
PAGE 3	Compact Fireplace Insert Installation
PAGE 4	Operation
PAGE 5	Maintenance
PAGE 7	Warranty

IMPORTANT INSTRUCTIONS

Please Retain This User's Guide For Future Reference



When using electrical appliances, basic precautions should always be followed to reduce the risk of fire, electric shock, and injury to persons, including the following:

1. Read all instructions before using the electric fireplace.
2. This fireplace is hot when in use. To avoid burns, do not let bare skin touch hot surfaces. The trim around the heater outlet becomes hot during heater operation. Keep combustible materials, such as furniture, pillows, bedding, papers, clothes, and curtains at least 0.9 m (3 feet) from the front of the unit.
3. Extreme caution is necessary when any heater is used by or near children or invalids and whenever the unit is left operating and unattended.
4. Young children should be supervised to ensure that they do not play with the appliance.
5. The appliance is not intended for use by young children or infirmed persons without supervision.
6. The appliance must be positioned so that the plug is accessible.
7. Always unplug the electric fireplace when not in use.
8. If the supply cord is damaged, it must be replaced by the manufacturer, or its service agent, or a qualified person in order to avoid a hazard.
9. Do not operate any unit with a damaged cord or plug, or if the heater has malfunctioned, or if the electric fireplace has been dropped or damaged in any manner. Return heater to authorized service facility for examination, electrical or mechanical adjustment, or repair.
10. Do not use outdoors.
11. Do not use this fireplace in the immediate surroundings of a bath, a shower or a swimming pool.
12. Do not install the fireplace directly on carpet or a similar surface which may restrict air circulation beneath the unit.
13. Do not run the cord under carpeting. Do not cover cord with throw rugs, runners, or the like. Arrange cord away from traffic area and where it will not be tripped over.
14. Do not locate the heater immediately below a fixed socket-outlet.
15. Do not locate the appliance in front of a fixed socket-outlet.
16. To disconnect the fireplace, turn the controls off, then remove the plug from the outlet.
17. Do not insert or allow foreign objects to enter any ventilation or

exhaust opening as this may cause an electric shock or fire, or damage to the heater.

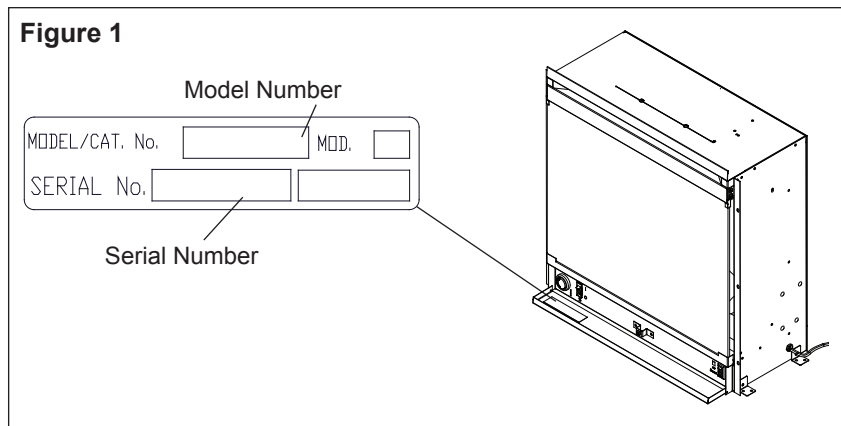
18. To prevent a possible fire, do not block air intake or exhaust in any manner. Do not use on soft surfaces, like a bed, where openings may become blocked.
19. All electrical heaters have hot and arcing or sparking parts inside. Do not use in areas where gasoline, paint, or flammable liquids are used or stored or where the unit will be exposed to flammable vapors.
20. Do not modify the electric fireplace. Use it only as described in this manual. Any other use not recommended by the manufacturer may cause fire, electric shock or injury to persons.
21. Avoid the use of an extension cord. Extension cords may overheat and cause a risk of fire. If you must use an extension cord, the cord must be 3-core type and have a rating no less than 13 Amps.
22. Do not burn wood or other materials in the electric fireplace.
23. Do not strike the fireplace glass.
24. Always use a certified electrician should new circuits or outlets be required.
25. Always use properly grounded and fused outlets.
26. Disconnect all power supply before performing any cleaning, maintenance or relocation of the unit.
27. When transporting or storing the unit and cord, keep in a dry place, free from excessive vibration and store so as to avoid damage.
28. **WARNING:** In order to avoid overheating, do not cover the heater
29. **CAUTION:** In order to avoid a hazard due to the inadvertent resetting of the thermal cutout, this appliance must not be supplied through an external switching device, such as a timer, or connected to a circuit that is regularly switched on and off by the utility.

SAVE THESE INSTRUCTIONS

- ! **NOTE:** Procedures and techniques that are considered important enough to emphasize.
-  **CAUTION:** Procedures and techniques which, if not carefully followed, will result in damage to the equipment.
-  **WARNING:** Procedures and techniques which, if not carefully followed, will expose the user to the risk of fire, serious injury, illness or death.

Model and Serial Number Information

If you have any questions about our products please have the model and serial numbers available upon calling Customer Service. To locate the model and serial number labels see below (Figure 1).



Fireplace Installation

! NOTE: A 13 Amp, 230 Volt alternating current (VAC) circuit is required. A dedicated circuit is preferred but not essential in all cases. A dedicated circuit will be required if, after installation, the circuit breaker trips or fuse blows on a regular basis when the heater is operating. Additional appliances on the same circuit may exceed the current rating of the circuit breaker.

⚡ WARNING: Ensure the power cord is not installed so that it is pinched or against a sharp edge and ensure that the power cord is stored or secured to avoid tripping or snagging to reduce the risk of fire, electric shock or injury to persons.

Construction and electrical outlet wiring must comply with local building codes and other applicable regulations to reduce the risk of fire, electric shock and injury to persons.

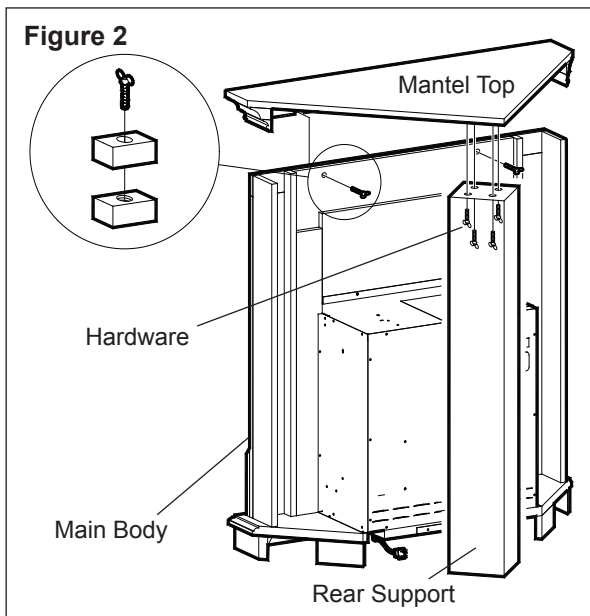
Do not attempt to wire your own outlets or circuits. To reduce the risk of fire, electric shock or injury to persons, always use a licensed electrician.

1. Make sure the unit's Main ON/OFF switch is switched OFF (refer to operating instruction section).
2. Plug the unit into a 13 Amp socket outlet. If the cord does not reach you may use a 3-core type extension cord rated for a minimum of 13 Amps.

(No Assembly Required For The Flat Wall Mantel)

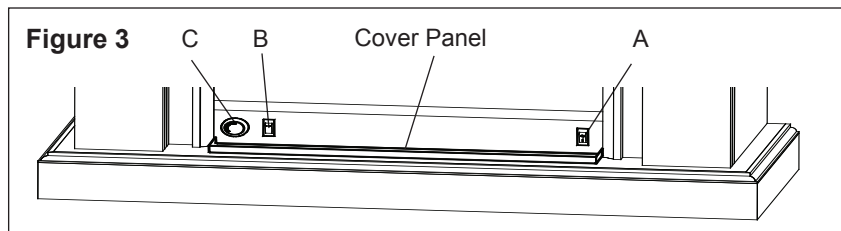
Corner Mantel Assembly

1. Assemble the top of the mantel to the rear support using the supplied hardware.
2. Using the supplied hardware assemble the top and rear support assembly to the main fireplace body (Figure 2).



Operation

To access the controls, swing down the front cover panel located on the lower front of the fireplace (Figure 3).



A. Main ON/OFF Switch

The on/off switch supplies power to all unit functions (heat/flame).

B. Heater ON/OFF Switch

The Heater ON/OFF Switch supplies power to the heater fan and the heater element.

C. Heater Thermostat Control

To adjust the temperature to your individual requirements, turn the thermostat control clockwise all the way to turn on the heater.

When the room reached the desired temperature, turn the thermostat knob counter clockwise until you hear a click. Leave in this position to maintain the room temperature at this setting. For additional heat, turn clockwise until you hear the click again and the heater will turn on. To turn the heater off, switch the Heater ON/OFF Switch to the OFF position.

! NOTE: When the heater is switched ON, the heater fan will operate. The heater element may or may not be on, depending on the thermostat control setting (See “Heater Thermostat Control”).

Maintenance

⚠ WARNING: Disconnect power before attempting any maintenance or cleaning to reduce the risk of fire, electric shock or damage to persons.

Light Bulb Replacement

Allow at least five (5) minutes for light bulbs and heater to cool off before touching bulbs to avoid accidental burning of skin.

Light bulbs need to be replaced when you notice a dark section of the flame or when the clarity and detail of the log exterior disappears. There are two (2) bulbs under the log set which generate the flames and embers.

Bulb Requirements

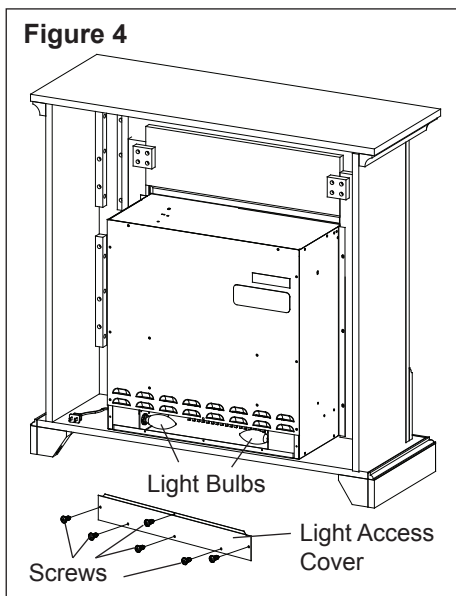
Quantity of two (2) clear chandelier or candelabra bulbs with an E-14 socket base, 60 watt rating.

Helpful Hints

It is a good idea to replace all light bulbs at one time if they are close to the end of their rated life. Group replacement will reduce the number of times you need to open the unit to replace light bulbs

To Replace The Light Bulbs (Figure 4)

1. Unplug the unit from power outlet.
2. On the back of the Compact Fireplace remove the screws from the light access cover.
3. Remove the light access cover.
4. Reach into the opening, locate and examine the bulbs to determine which bulb(s) require replacement.
5. Unscrew the bulb(s) counter-clockwise.
6. Insert new bulb(s).
7. Install the light access cover and install the screws.



Glass Cleaning

The glass is cleaned in the factory during the assembly operation. During shipment, installation, handling, etc., the clear door may collect dust particles, these can be removed by dusting lightly with a clean dry cloth.

To remove fingerprints or other marks, the clear door can be cleaned with a damp cloth. The clear door should be completely dried with a lint free cloth to prevent water spots. To prevent scratching, do not use abrasive cleaners or spray liquids on the clear door surface.

Compact Fireplace Surface Cleaning

Use warm water only to clean painted surfaces of the Compact Fireplace. Do not use abrasive cleaners.

Servicing

Except for light bulb replacement and cleaning described above, an authorized service representative should perform any other servicing.

Warranty

Dimplex Electric Fireplaces are tested and inspected prior to shipment and are guaranteed from defect to the purchaser of each new product. Any part which proves to be defective in material or workmanship under normal use within one year will be repaired or replaced without charge.* The Company will not be responsible for any expense incurred for installation, removal for service, or transportation costs. Any such defect should be brought to the attention of the Dealer where the product was purchased and is authorized to repair or replace within the terms of this warranty.

The Company's only obligation under this warranty will be at its sole option to repair or replace any part proving defective or to refund the purchase price thereof.

The owner/user assumes all other risks, if any, including the risk of any direct, indirect or consequential loss or damage arising out of the use of or inability to use the product.

The warranty will not apply if, in the sole judgment of the Company, damage or failure has resulted from accident, alteration, misuse, abuse, incorrect installation, or operation on an incorrect power source.

The foregoing is in lieu of all other warranties expressed, implied, or statutory, and the Company neither assumes, nor authorizes any person to assume for it any other obligation, or liability in connection with said product.

*Light bulbs are not covered in the warranty.

Service

Contact your local dealer for service or warranty information.


Recycling



For electrical products sold in the European Community. At the end of the electrical product's useful life it should not be disposed of with household waste. Please recycle where facilities exist. Check with

your Local Authority or retailer for recycling advice in your country.

CE The product complies with the European Safety Standard EN60335-2-30 and the European Standard for Electromagnetic Compatibility (EMC) EN55014, EN61000 and EN50366 which cover the essential requirements of EEC Directives 2006/95 and 2004/108.

<p>1. Warranty Card</p> 	<p>2. Guarantee Period (in Years)</p> <p style="text-align: center;">1</p>	<p>3. Model(s)</p>	<p>4. Date of Purchase</p>																				
<p>5. Stamp & Signature of retailer</p> <p>6. Fault/Defect</p>																							
<p>7. Contact Number & Address</p> <table border="0" style="width: 100%;"> <tr> <td style="width: 25%;">DE</td> <td style="width: 25%;"> <p>Glen Dimplex Deutschland GmbH ewt-Kundendienst +49 (911) 1805 / 398 346 Fax. +49 (911) 1805 / 355 467 (12Ct./Min aus dem dt. Festnetz) service@glendimplex.de</p> </td> <td style="width: 25%;">FR</td> <td style="width: 25%;"> <p>Glen Dimplex France ZI Petite Montagne Sud 12 rue des Cévennes 91017 EVRY - LISSSES www.glendimplex-france.fr</p> </td> </tr> <tr> <td>UK</td> <td> <p>Glen Dimplex UK Limited Millbrook House Grange Drive Hedge End Southampton Hampshire. SO30 2DF 0845 600 5111 Fax. 01489 773053 customer.services@glendimplex.com</p> </td> <td>ES</td> <td> <p>Glen Dimplex España S.L. C/ Bailén, 20, 4º, 2º e-08010 BARCELONA (+34) 93.238.61.59 Fax. (+34) 932384375</p> </td> </tr> <tr> <td></td> <td></td> <td>IT</td> <td> <p>Glen-Dimplex Italia S.r.l. via delle Rose 7, 24040 Ialio (BG) 035-201042 Fax. 035-200492 info@glendimplex.it</p> </td> </tr> <tr> <td></td> <td></td> <td>AU</td> <td> <p>Glen Dimplex Australia PTY Ltd Unit 2, 205 Abbots Road Dandenong Melbourne Victoria 3175 Australia +61 3 87873567 Fax. +61 3 87873570 salesgd@glendimplex.com.au</p> </td> </tr> <tr> <td></td> <td></td> <td>NZ</td> <td> <p>Glen Dimplex Australasia 38 Harris Road East Tamaki Auckland New Zealand +64 9 274 8265 Fax. +64 9 274 8472 sales@glendimplex.co.nz</p> </td> </tr> </table>				DE	<p>Glen Dimplex Deutschland GmbH ewt-Kundendienst +49 (911) 1805 / 398 346 Fax. +49 (911) 1805 / 355 467 (12Ct./Min aus dem dt. Festnetz) service@glendimplex.de</p>	FR	<p>Glen Dimplex France ZI Petite Montagne Sud 12 rue des Cévennes 91017 EVRY - LISSSES www.glendimplex-france.fr</p>	UK	<p>Glen Dimplex UK Limited Millbrook House Grange Drive Hedge End Southampton Hampshire. SO30 2DF 0845 600 5111 Fax. 01489 773053 customer.services@glendimplex.com</p>	ES	<p>Glen Dimplex España S.L. C/ Bailén, 20, 4º, 2º e-08010 BARCELONA (+34) 93.238.61.59 Fax. (+34) 932384375</p>			IT	<p>Glen-Dimplex Italia S.r.l. via delle Rose 7, 24040 Ialio (BG) 035-201042 Fax. 035-200492 info@glendimplex.it</p>			AU	<p>Glen Dimplex Australia PTY Ltd Unit 2, 205 Abbots Road Dandenong Melbourne Victoria 3175 Australia +61 3 87873567 Fax. +61 3 87873570 salesgd@glendimplex.com.au</p>			NZ	<p>Glen Dimplex Australasia 38 Harris Road East Tamaki Auckland New Zealand +64 9 274 8265 Fax. +64 9 274 8472 sales@glendimplex.co.nz</p>
DE	<p>Glen Dimplex Deutschland GmbH ewt-Kundendienst +49 (911) 1805 / 398 346 Fax. +49 (911) 1805 / 355 467 (12Ct./Min aus dem dt. Festnetz) service@glendimplex.de</p>	FR	<p>Glen Dimplex France ZI Petite Montagne Sud 12 rue des Cévennes 91017 EVRY - LISSSES www.glendimplex-france.fr</p>																				
UK	<p>Glen Dimplex UK Limited Millbrook House Grange Drive Hedge End Southampton Hampshire. SO30 2DF 0845 600 5111 Fax. 01489 773053 customer.services@glendimplex.com</p>	ES	<p>Glen Dimplex España S.L. C/ Bailén, 20, 4º, 2º e-08010 BARCELONA (+34) 93.238.61.59 Fax. (+34) 932384375</p>																				
		IT	<p>Glen-Dimplex Italia S.r.l. via delle Rose 7, 24040 Ialio (BG) 035-201042 Fax. 035-200492 info@glendimplex.it</p>																				
		AU	<p>Glen Dimplex Australia PTY Ltd Unit 2, 205 Abbots Road Dandenong Melbourne Victoria 3175 Australia +61 3 87873567 Fax. +61 3 87873570 salesgd@glendimplex.com.au</p>																				
		NZ	<p>Glen Dimplex Australasia 38 Harris Road East Tamaki Auckland New Zealand +64 9 274 8265 Fax. +64 9 274 8472 sales@glendimplex.co.nz</p>																				

UK / AU / NZ

1. Warranty Card
2. Guarantee Period (in Years)
3. Model(s)
4. Date of Purchase
5. Stamp & Signature of retailer
6. Fault/Defect
7. Contact Number & Address

ES

1. Tarjeta de garantía
2. Período de garantía (en años)
3. Modelo(s)
4. Fecha de adquisición
5. Sello y firma del distribuidor
6. Avería/Defecto
7. Número y dirección de contacto

DE

1. Garantiekarte
2. Garantiezeitraum (in Jahre)
3. Modell(e)
4. Kaufdatum
5. Stempel & Unterschrift des Einzelhändlers
6. Fehler/Defekt
7. Kontakt-Tel.-Nr. & - Anschrift

FR

1. Bon de garantie
2. Période de garantie (en années)
3. Modèle(s)
4. Date d'achat
5. Cachet et signature du vendeur
6. Anomalie/Défaut
7. Nom et adresse du contact

IT

1. Scheda di garanzia
2. Periodo di garanzia (in anni)
3. Modello(i)
4. Data di acquisto
5. Timbro e firma del rivenditore
6. Guastodifetto
7. Indirizzo e numero di contatto